

REISHAUER Clamping Systems hydraulically expanding



Clamping Device with base unit and accessories

Quality Features

- Special material → low wear
- Special sealing system
- Mounting clearance adjusted to requirements
- Technical support from one source
- SWISS MADE → highest quality standard
- Long service life at constant precision
→ low cost per piece

High-precision grinding results demand an equally high precision in clamping

Reishauer builds on its own comprehensive knowledge of the gear grinding process and on this basis, develops and manufactures customer specific clamping devices. The connection “machine – clamping device – grinding wheel – dresser” – makes possible a grinding process that is optimally fine-tuned to specific quality.

The specific use of hydraulic change clamping systems reduces the set-up time and increases productivity. This translates into the full use of the high economic potential of the Reishauer machine, whether for large or small scale production volumes.

Clamping Device



**REISHAUER-Clamping Device
DH30**

- rigid
- mounted directly on C-axis
- large batch sizes
- change over seldom



**REISHAUER-Clamping Device
DH16.707**

- rigid – flexible
- mounted modularly on base unit
- middle batch sizes
- change over 3 to 5 times per week



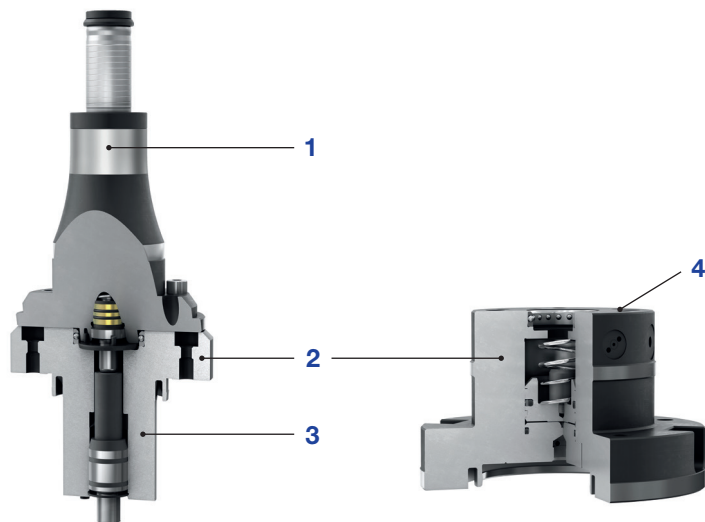
**REISHAUER-Clamping Device
DH19**

- flexible – quick
- fast mounted on quick-change system
- small batch
- change over 3 to 5 times per day

REISHAUER – Solutions

Maximum stiffness and flexibility in highest precision

- 1** REISHAUER-Clamping device DH 28
Hydraulic expansion arbour
- 2** Identical connection
- 3** REISHAUER-Clamping device FK 38
Base unit for the RZ 60 / 160
- 4** REISHAUER-Clamping device FK 38
Base unit for the RZ 260 and larger RZ machines (base unit with integrated pressure transmitter)



Reishauer is a leading supplier of gear grinding technology who can look back on decades of experience. The new clamping devices are an important mile stone in the development of the Reishauer performance portfolio.

REISHAUER

Gear Grinding Technology

Reishauer AG T +41 44 832 22 11
8304 Wallisellen info@reishauer.com
Switzerland www.reishauer.com