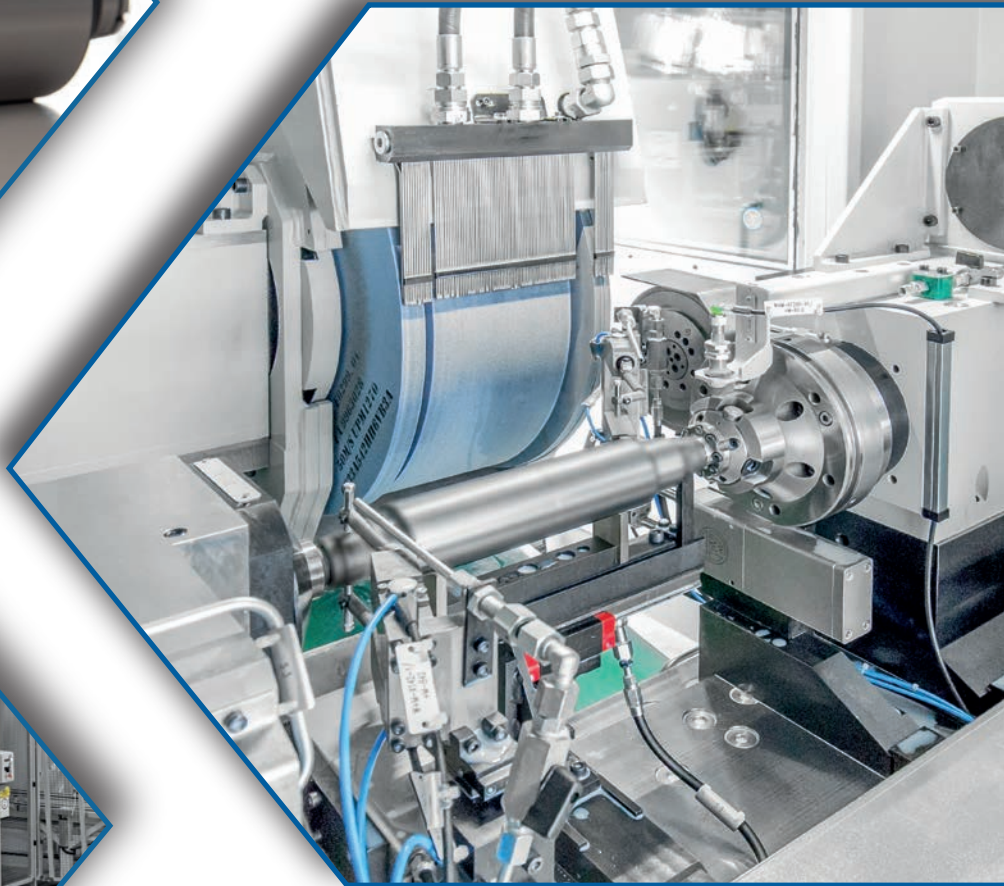
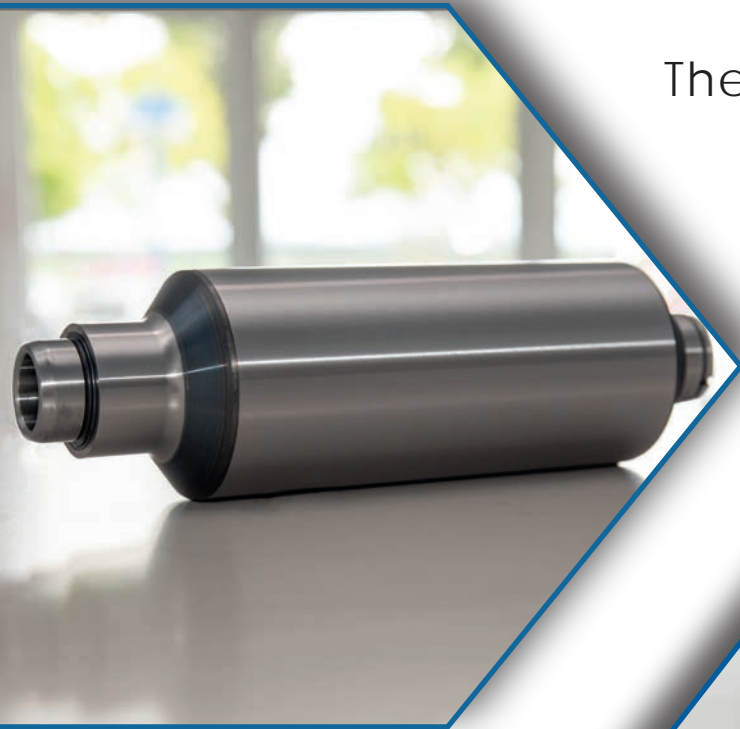




The specialist in cylindrical grinding

E-Mobility



GST has developed a wide range of **highly productive** machines for the **serial** grinding of rotor shafts, entirely **flexible** and focused on customer requirements.

Leading manufacturers already use our machines in **continuous operation**.

Grinding machines for Rotor shafts

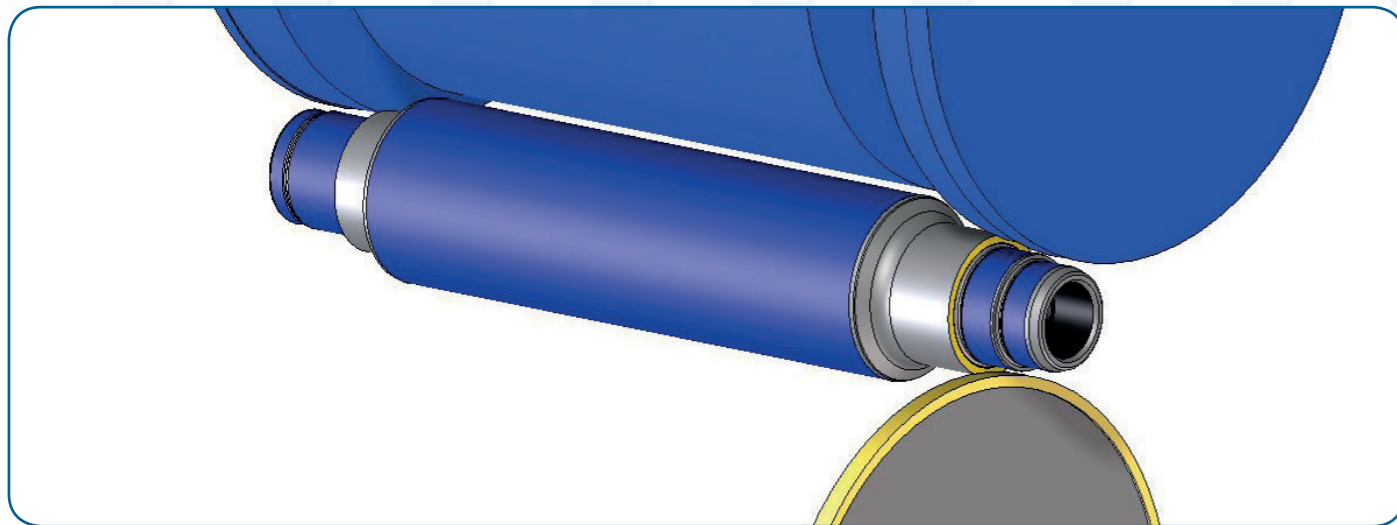
Grinding

- Plane surfaces
- Diameters
- Grooves

GST Complete C/CBN

The GST Complete C/CBN is the basic machine type which has the following special features:

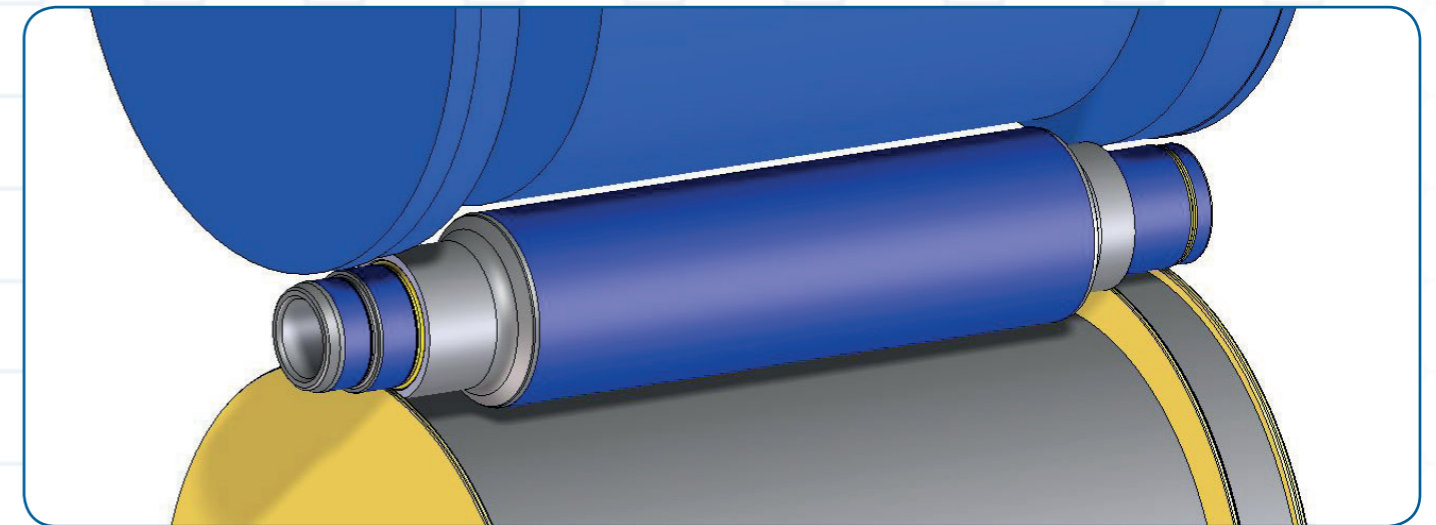
- Complete grinding of diameters with corundum grinding wheel set
- Simultaneous straight infeed grinding of diameters, plane surfaces and grooves with a galvanic CBN wheel set



GST Double Cycle Complete C/CBN

With the GST Double Cycle Complete C/CBN, the output of the machine has again been significantly increased:

- No non-productive times - loading, unloading, clamping and releasing times are eliminated
- This machine replaces 2-3 conventional machines
- Low investment costs
- Space-saving, reduced need for energy and operating supplies



GST Machine features

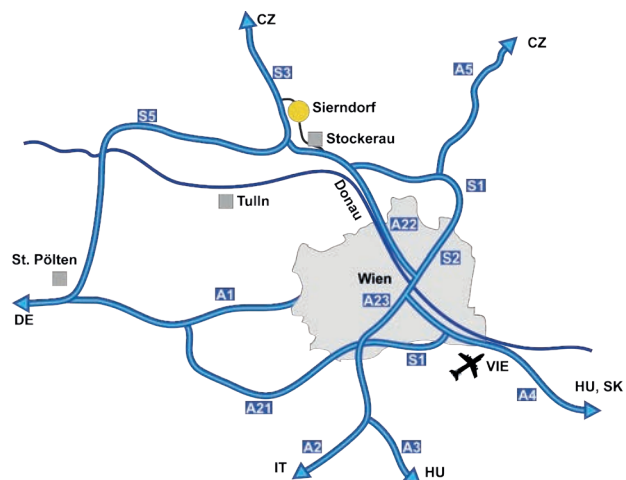
- Full CNC control of all axes
- CNC wheel dresser
- GST grinding spindles
- Automatic cylindricity compensation
- Feed slides with recirculating roller guides
- Automatic following of the protective hood and the coolant nozzles
- Coolant: emulsion or oil
- High energy efficiency due to compact design
- Short set-up times due to wheel changing devices, automatic set-up and automatic adjustment of table assemblies
- Stand-alone solution with GST loader and workpiece magazine, or integration into an interlinked system



GST GRINDER GmbH

Industriepark 6 | 2011 Sierndorf | Austria

Phone: +43 (0)2267 / 3250-0 | Fax: +43 (0)2267 / 3250-99 | Mail: office@gst.at



GST Grinder GmbH. All rights reserved. office@gst.at
UID-Nr.: ATU74383213 - FN.Nr.: 512421 k - Landesgericht Korneuburg - CEOs: Günter Hacker, Franz Hejn