

# Turbo MS500

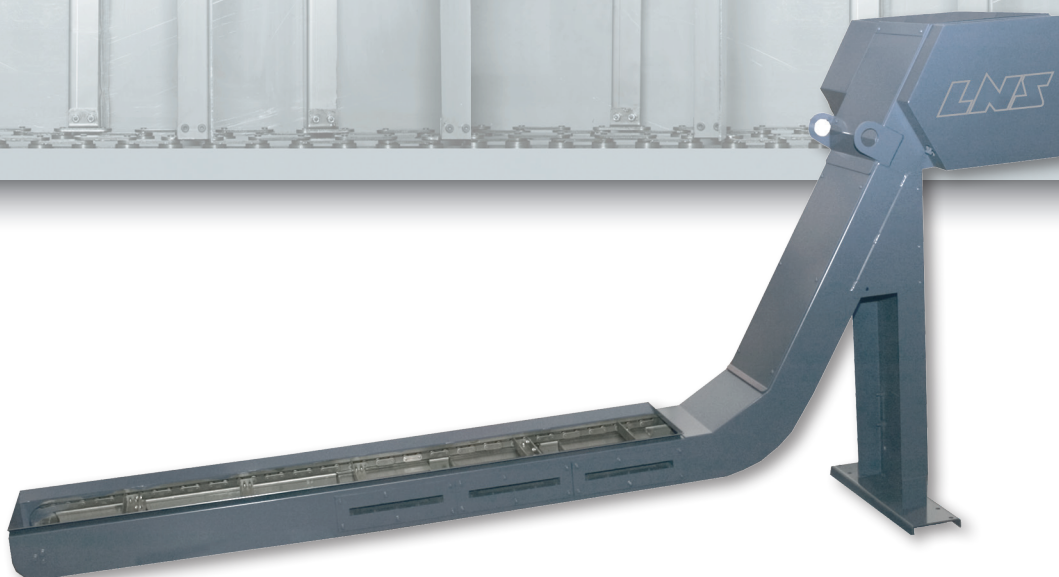
Filtering chip conveyor to 500µm

Your best choice for:

Mixed materials  
Fine chips



Dedicated & ferrous materials  
Cast iron, brass & aluminium





### **Economy plus filtration**

The Turbo MS500 is our most economical chip conveyor incorporating coolant filtration, to 500 microns nominal. The Turbo MS500 handles medium to light chip loads including brass, steel, cast iron and aluminum. This conveyor is ideal for chips from most casting applications and processes most materials with good chip control.



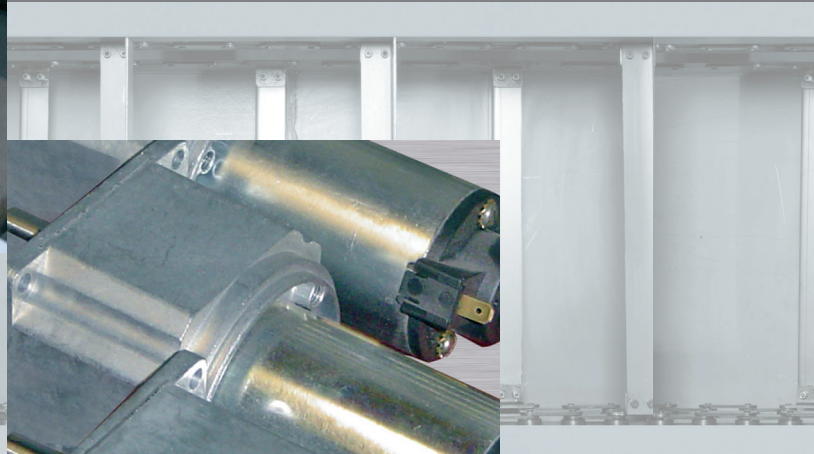
### **Self cleaning coolant filtration**

Many of today's value priced machine tools require filtering conveyors. The Turbo MS500 was designed as a cost effective, low maintenance conveyor to solve this application need.



### **Designed for production efficiency**

Inexpensive parts, such as aluminum investment castings, create small chips which are hard to keep out of machine tanks. Expensive filtering conveyors are hard to justify because of the low cost of these parts.



Coolant and chips flow from the machine into the watertight frame of the Turbo MS500. Filter boxes, strategically located along the conveyor load section, allow the coolant to escape into the machine tank providing 500 micron filtration. Brushes attached to the conveyor's scraper bars provide a self cleaning method to wipe contaminants from the boxes as the conveyor belt advances.

The scraper conveyor design of the Turbo MS500 provides an excellent method of removing small broken chips in a medium to light chip load. The low conveyor investment makes this an ideal choice for small VMC and drilling and tapping machining centers. Materials like aluminum, brass and cast iron are ideal applications.

### Coolant flow and filtration

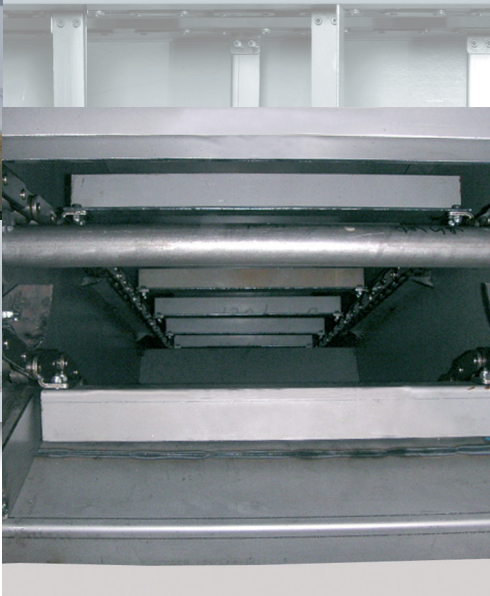
The coolant flow rates used in modern machine tools vary greatly from machine to machine but the design flexibility of the Turbo MS500 means that it can handle most applications.



Each filter box is automatically cleaned during normal conveyor operation. Coolant flow and optimal filtration is assured, as the design of the Turbo MS500 allows the number of filter boxes used to be matched to the requirements of the machine tools maximum flow rate.

### Minimal coolant loss = cost-effective, environmentally friendly operation

Coolant loss is a common problem caused by conveyor belt carry out and wet chips dropping from the conveyor. Special design considerations were taken into account on the Turbo MS500 to reduce wet chips.

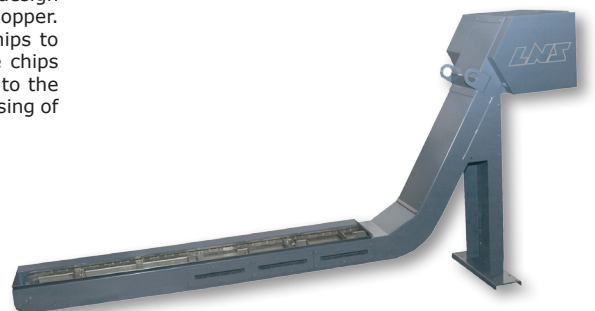


The chip discharge area offers a special design to ensure dry chips drop into the chip hopper. An angled shelf provides time for the chips to drain until the next scraper forces more chips onto the shelf, pushing the initial load into the hopper. Less coolant loss and post processing of the chips are the obvious advantage.

### Compatible for numerous machine designs

Many machine designs have low discharge points for chip and coolant flow.

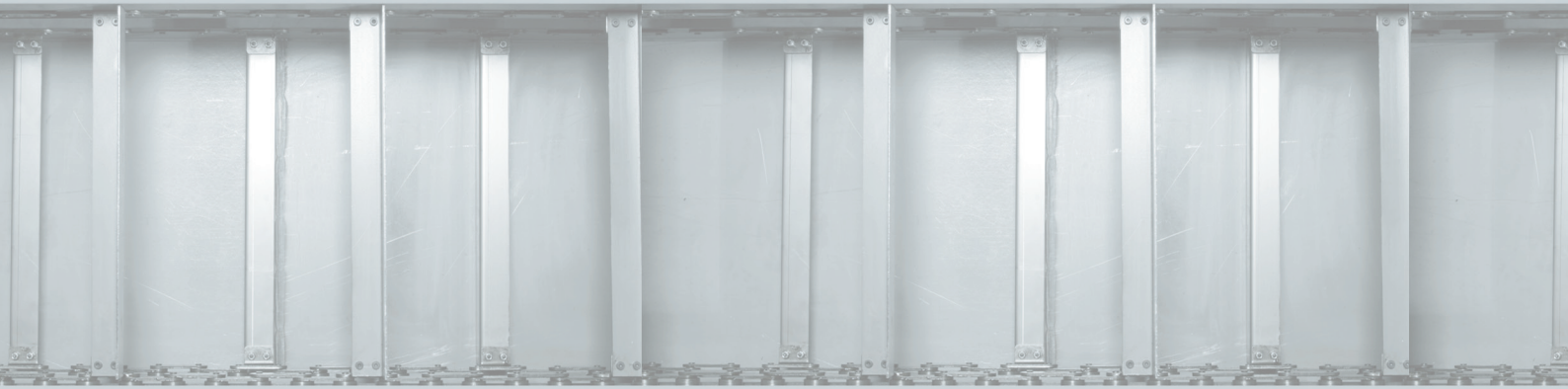
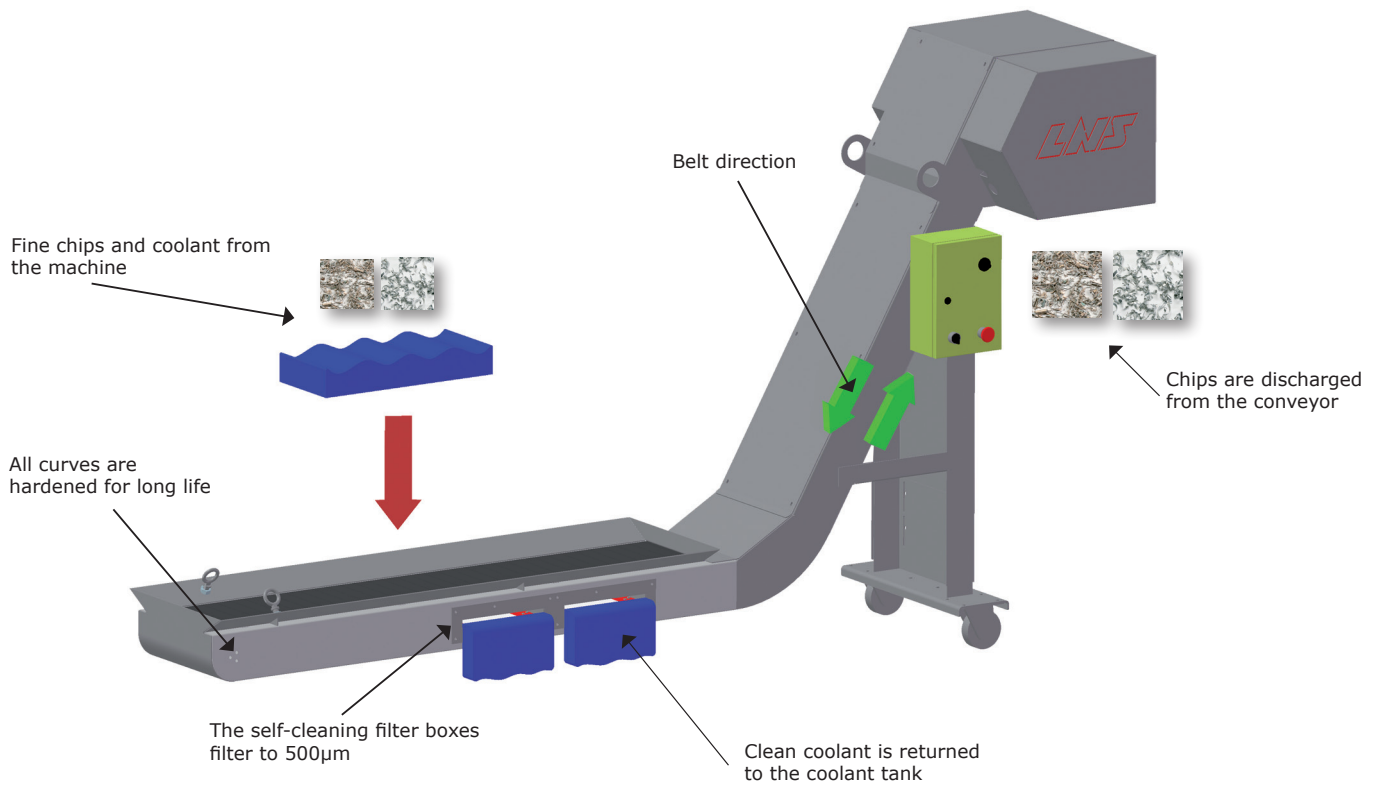
Low profile frame designs are available for situations where the coolant and chip discharge are low to the floor increasing the number of machine designs the Turbo MS500 is suitable for.





# Turbo MS500

Designed to meet your requirements



LNS is your one-stop resource for industry leading bar feeding equipment and accessories, chip conveyors and coolant management systems. So you get unmatched product range, applications experience, service and support. The LNS customer service and technical support teams are the industry's most experienced. Together, they provide expert product selection and application assistance, professional installation and comprehensive training.

We support every product we sell with replacement parts, and both field and factory service. We provide this expert service through trained technicians who are strategically positioned throughout the world. And because we design every bar feed, chip conveyor and coolant system we sell, we can provide parts and service for all LNS equipment – even chip conveyors and bar feeds that have been in service for over twenty years.



LNS SA  
CH-2534 Orvin  
[www.Lns-europe.com](http://www.Lns-europe.com)

Phone +41 (0)32 358 02 00  
Fax +41 (0)32 358 02 01  
[sales@Lns-world.com](mailto:sales@Lns-world.com)