



## ALPHA 538 / 552

AUTOMATIC BAR FEEDER FOR FIXED  
OR SLIDING HEADSTOCK LATHES

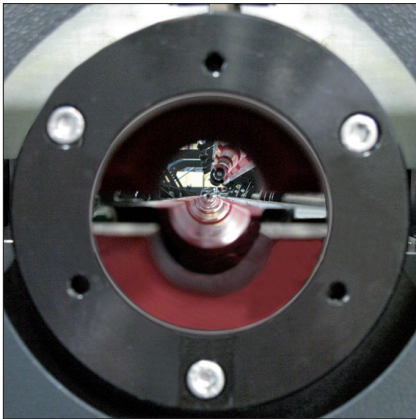
Alpha 538     diameter range: 5 – 38 mm  
Alpha 552     diameter range: 5 – 52 mm



Alpha 552



YOUR ONE-STOP-SHOP  
FOR MACHINE-TOOL PERIPHERALS



## RELIABLE AND STRAIGHTFORWARD USE

The Alpha 538/552 is an efficient and cost effective product line which ensures the maximum productivity for feeding bars with diameters of 5 to 38 mm for Alpha 538 and 5 to 52 mm for Alpha 552. It is especially suited to the production of medium and large batches on fixed or sliding headstocks.



## USER-FRIENDLY TOUCH-SCREEN CONTROL

The remote control, equipped with a touch-screen, ensures the interaction between the bar feeder and the lathe. It allows the operator to manage all of the functions with a user-friendly navigation menu available in several languages.



## QUICK AND EASY DIAMETER CHANGEOVER

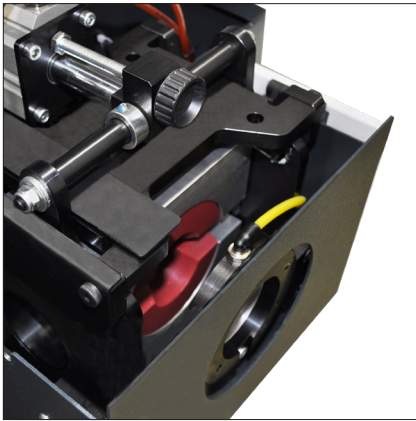
They are equipped with a lateral magazine fitted with loading fingers controlled by a central, manually operated system. A scale with three positions provides a visual reference for rapid and precise adjustments.

The guiding system is made of pushers and guiding elements. In the case of a full change of diameter, all these elements are easily and rapidly replaced without any tools. This keeps downtime to a minimum.

- 3 minutes for partial changeover
- 10 minutes for complete diameter changeover







## EXCELLENT GUIDING PERFORMANCE

The hydrostatic two-positions front rest guarantees the perfect guidance of the bars. The pneumatically actuated opening and closing of the front rest is mechanically locked, providing safe and secure guiding of the bar when in rotation, and opening to the pusher size to ensure guiding when plunging into the spindle.

The automatic remnant retraction device, suitable to the full range of diameters, performs a control of the ejection to ensure the completion of the operation. Once the bar remnant is disposed into the dedicated tray, the loading of a new bar can be safely performed.



## 3S SYNCHRONIZATION

For applications on sliding headstock lathes, the 3S synchronization system from LNS enables the anticipation of bar movements. The servo motor recognizes the movements of the sliding headstocks to which the 3S synchronization is directly connected. This provides a key level of assurance for preventing the buckling of the bars at high movement speeds.

LNS also provides telescopic tubes together with spindle liners in order to guarantee an optimum level of guiding precision.



## ALPHA 552: INCREASED STABILITY

The Alpha 552 is designed with a reinforced front stand which supports the key components providing maximum stability and preventing vibrations.

The Alpha 552 has a longitudinal movement which allows the bar feeder to be moved back 350 mm, from the machine spindle (470 mm on the Alpha 538). This feature allows easier access for routine maintenance, reducing downtime.

Additionally, the Alpha 538 provides an optional, adjustable 2-positions longitudinal movement for sliding headstock lathes working with and without guidebush.

## FEATURES & BENEFITS

- Hydrostatic or hydrodynamic guiding elements (depending on working mode)
- Quick change guiding elements and pusher
- 300 mm wide magazine tray capacity, self contained
- Centralized adjustment for bar selection fingers
- Remnant extraction system with self centering vise
- 2-positions front rest, with quick change bushings
- Touch screen remote control
- Servo motor
- Automatic torque and speed adjustment
- Torque power booster for extraction and insertion of the bar
- Work with cone or collet
- Patented "3-S" direct electronic headstock synchronization system

## TECHNICAL SPECIFICATIONS

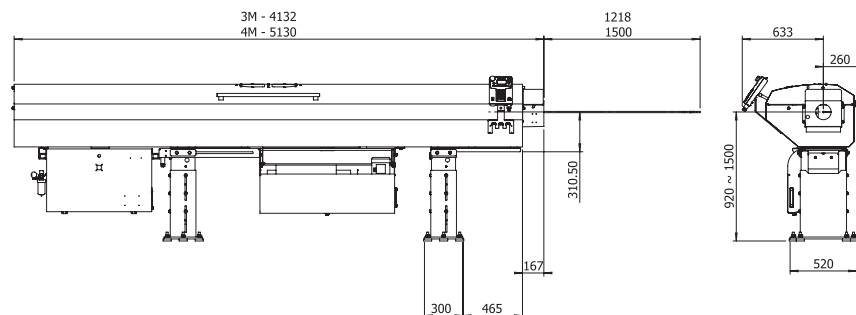
### YOUR ONE-STOP-SHOP FOR MACHINE-TOOL PERIPHERALS

LNS provides a full range of bar feeders, chip conveyors, coolant management systems and air filtration systems which is second to none on the market. We are known in the industry for the solid expertise we have gained over several decades in an exceptionally wide range of applications, our excellent customer service and our technical support. This support is ensured by highly qualified technicians who are available at key locations throughout Europe.

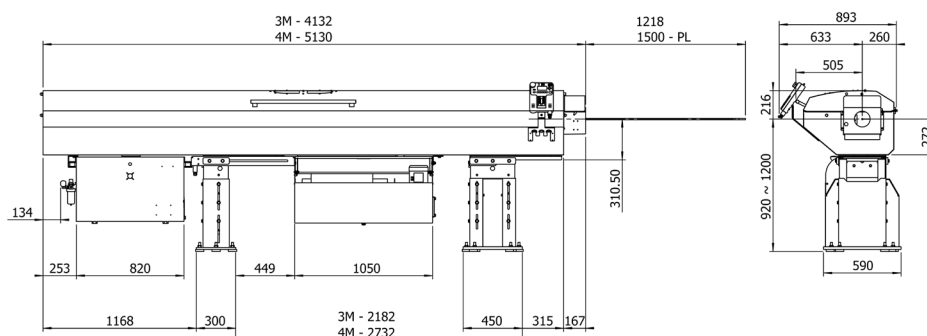
Capacity		Alpha 538	Alpha 552
Diameter	mm	5–38	5–52
Bar length	mm	3200 mm / 4200 mm	
Loading system		Side load rack	
Loading capacity	mm	300	
Loading side		Front / rear	
Applications			
Headstock type		Fixed / sliding	
Remnant length	mm	Min 90 / Max 400	
Front rest		2-positions pneumatic	
Bar selection		Manual	
3S synchronization		Standard	Option
Z-axis retraction system	mm	470	350
Remote control		Color touch screen	
Diameter change			
Partial changeover		3 min (in the same guiding elements)	
Total changeover		10 min (for all guiding elements)	
Driving system			
Motor		Servo	
Drive		Chain	
Guiding		Hydrostatic bearings	
Oil		80L ISO VG 100	
Options			
2-positions longitudinal movement	mm	adjustable	–

## FLOOR PLAN (mm)

Alpha 538



Alpha 552



LNS Europe  
Route de Frinvillier  
2534 Orvin  
Switzerland

+41 32 358 02 00  
LNS@LNS-europe.com  
www.LNS-europe.com